



## REPUTATION BUILT BY APPLICATION

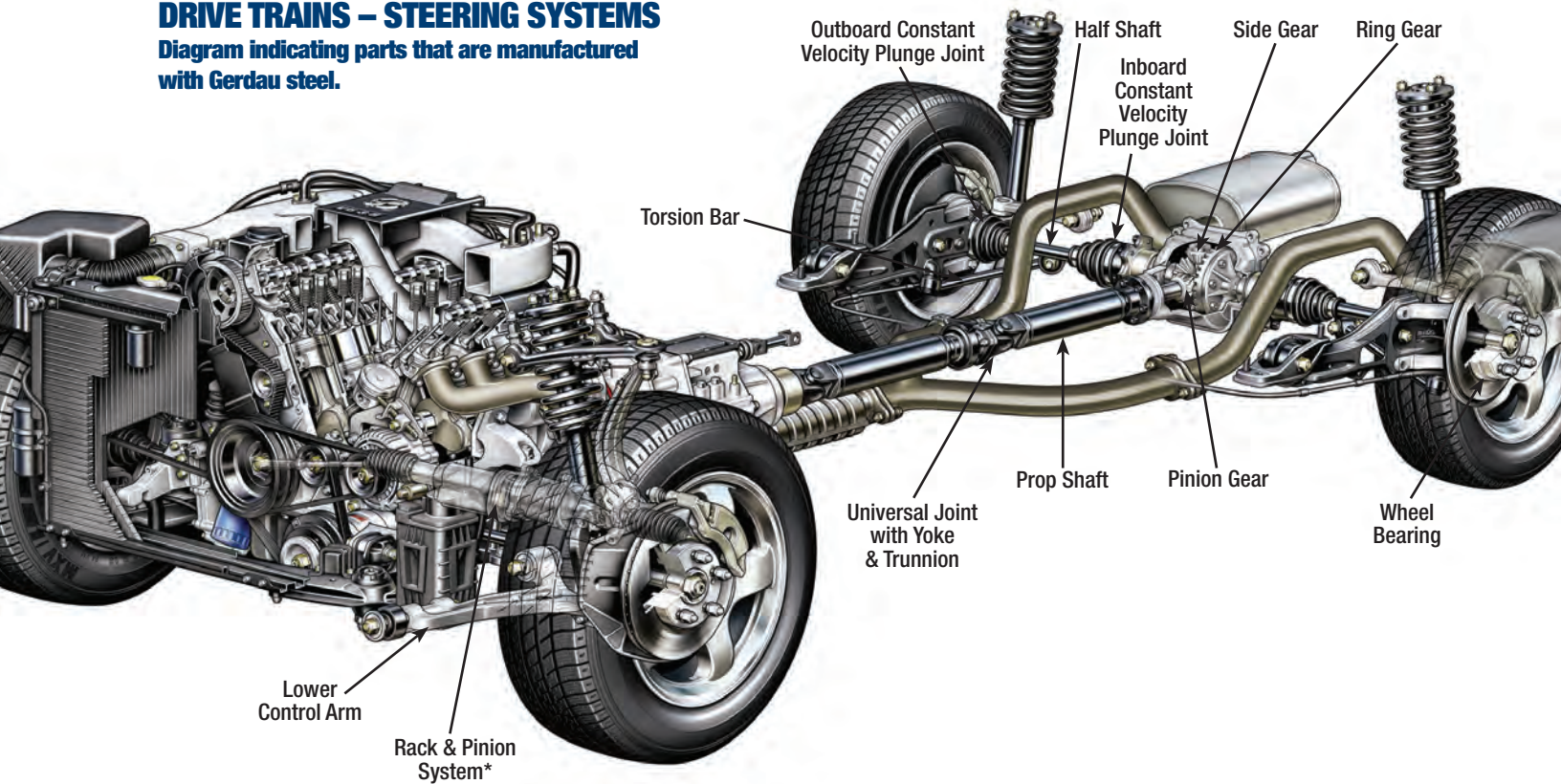
Gerdau has been successfully serving the global automotive parts industry for over 30 years. We are proficient in critical automotive applications and openly welcome new ones. We sell custom engineered steel bars in 50 ton heat lots or truckload quantities from 100 ton heat lots.

### Applications used in these markets:

- Automotive/Light Truck
- Agricultural Equipment
- Heavy Truck
- Construction Equipment

## DRIVE TRAINS – STEERING SYSTEMS

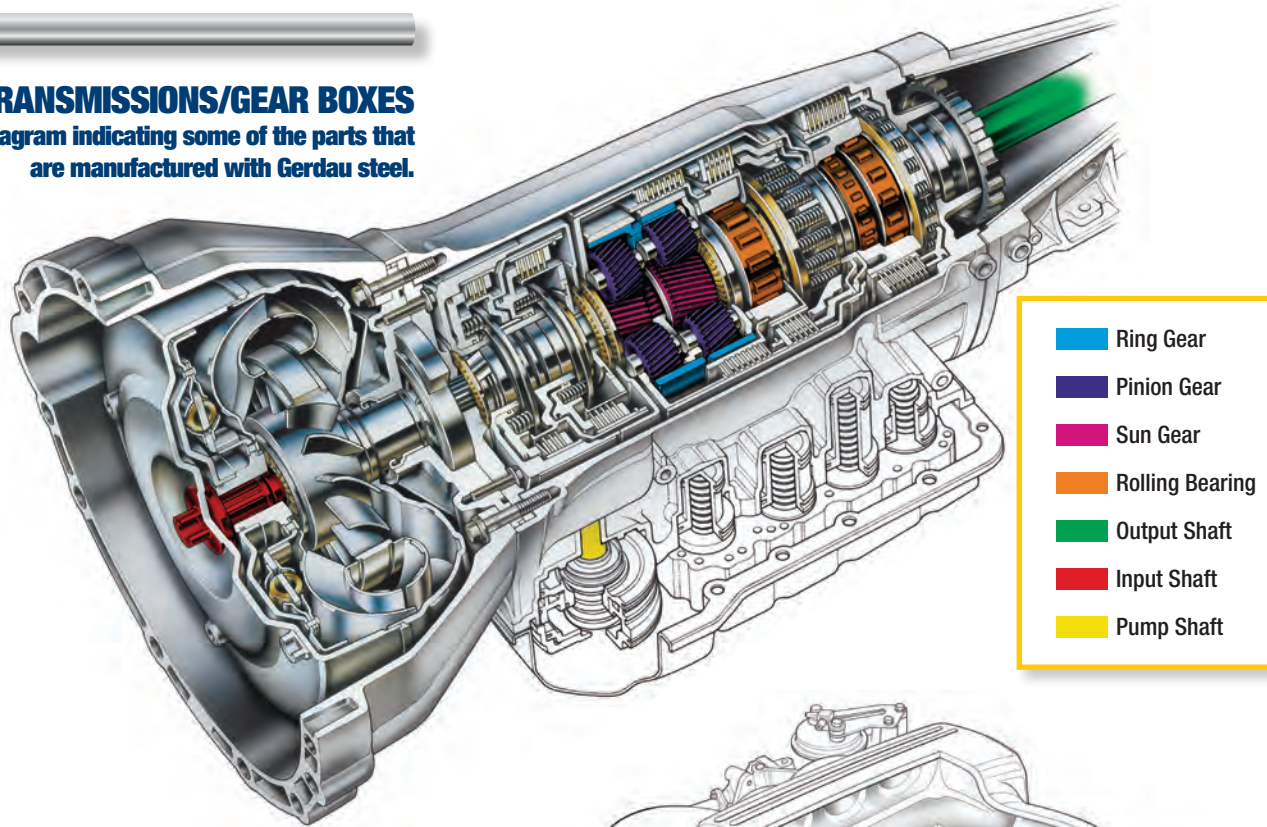
Diagram indicating parts that are manufactured with Gerdau steel.



\*Repositioned for visibility

## TRANSMISSIONS/GEAR BOXES

Diagram indicating some of the parts that are manufactured with Gerdaul steel.



- Ring Gear
- Pinion Gear
- Sun Gear
- Rolling Bearing
- Output Shaft
- Input Shaft
- Pump Shaft

## ENGINES/MOTORS

Diagram indicating some of the parts that are manufactured with Gerdaul steel.

- Oil Pump
- Connecting Rod
- Camshaft
- Piston Crown
- Crankshaft
- Piston Pins
- Rocker Arms
- Timing Sprockets

